

Thank you for purchasing this product. We produce quality built products for value conscious users.

We welcome any comments or suggestions you may have, just call or write the address below.

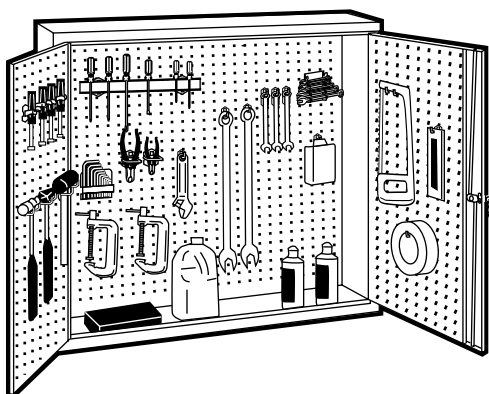
We hope you will continue to find us the most complete source for your tool storage needs.

Kennedy[®]

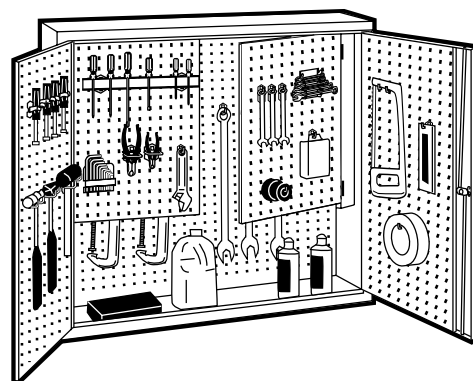
TOOL BOXES
CHESTS/CABINETS
WORK STATIONS
MODULAR CABINETS

Assembly Instructions

Style No. 50230 & 50260



Model 50230 comes without swing-out inner panels, and includes 30-piece tool holder set 99852.



Model 50260 comes with (2) swing-out inner panels, and includes 60-piece tool holder set 99853.

Before Assembly of Your Wall Mounted Cabinet

Check carefully to insure that all parts listed on next page are included. If any are missing, please call 800-413-8665. Do not discard packing material until assembly is complete.

Tools Required

*Tape measure and level
Flat tip screwdriver
Drill and drill bit-pilot hole
as required for type of fastener*

50230 Assembly Supply List

Qty	Key	Part Description
3	(A)	Hanger Brackets
1	(B)	99852 Tool Holder Set

50260 Assembly Supply List

Qty	Key	Part Description
3	(A)	Hanger Brackets
1	(B)	99853 Tool Holder Set
2	(C)	50202 Swing-out Panel
4	(D)	Rail Support Bracket

494019 Bolt Pack Contains:

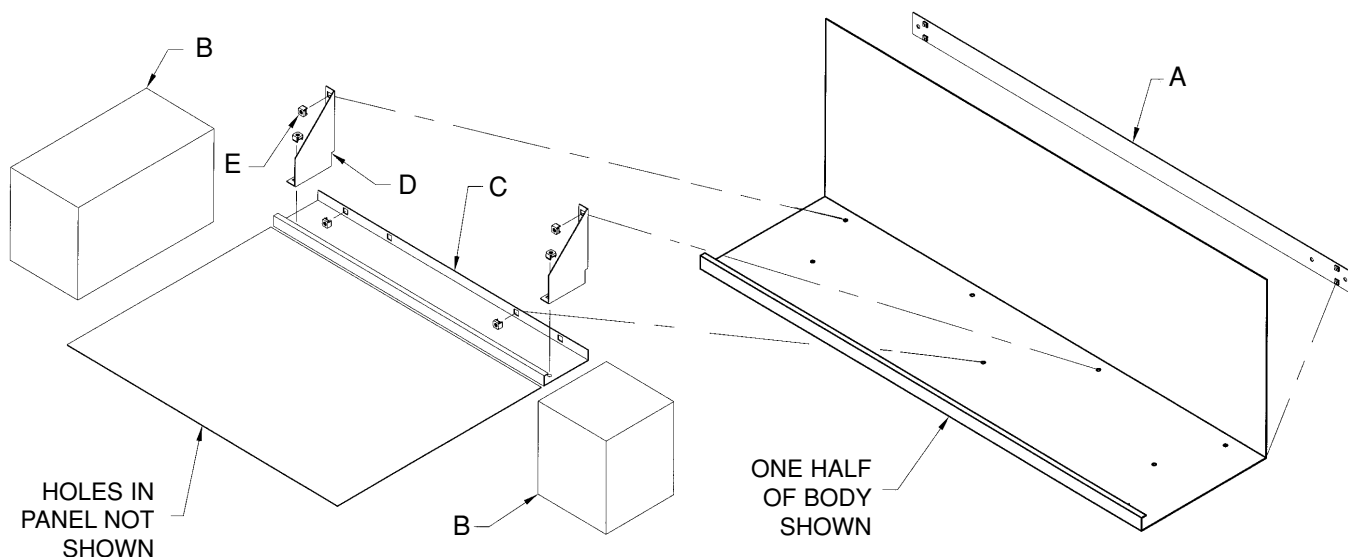
12	(E)	1/4-20 Panel Nut Retainer
12		1/4-20 x 1/2 Bolts
12		Washers

Model 50260 Swing-out Panel Assembly

NOTE: ASSEMBLY REQUIRED BEFORE MOUNTING CABINET TO HANGER BRACKET.

1. Snap two of the 1/4-20 panel nut retainer into square holes of swing panel mounting rail.
2. Align swing panel mounting rail to inside wall.
3. Bolt swing panel mounting rail from outside cabinet wall with 1/4-20 bolts and washers.
4. Snap the 1/4-20 panel nut retainer into the square holes of rail support brackets.
5. Bolt rail support brackets to inside rail, then bolt rail support brackets to inside wall.

Note: Two rail support brackets will be mounted flange-up and two mounted flange-down.



Hanger Bracket Assembly

1. Determine location for attachment of hanger brackets. Use level to align bracket and mark mounting holes.
Note: Bracket must be in square alignment.
2. Drill pilot holes.
3. Attach hanger brackets.
4. Hang wall-mount cabinet to the three hanger brackets.