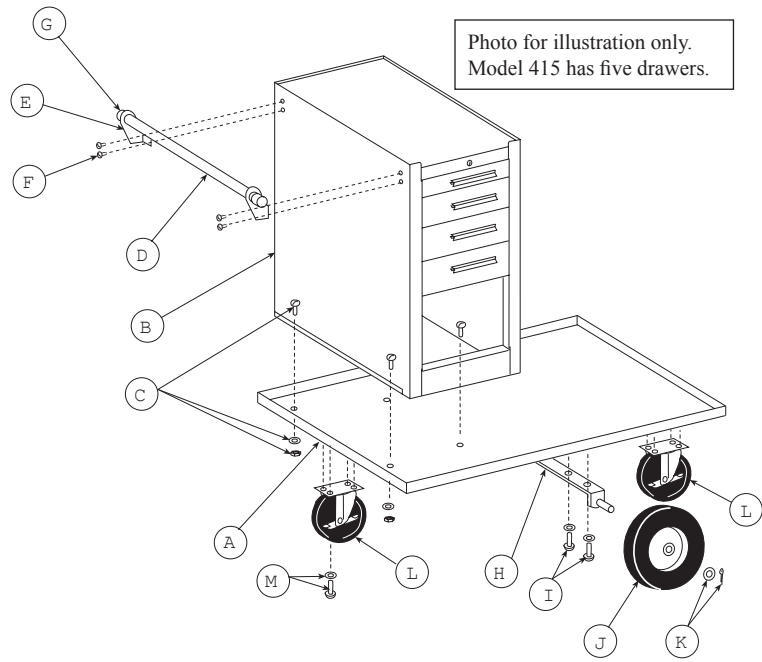


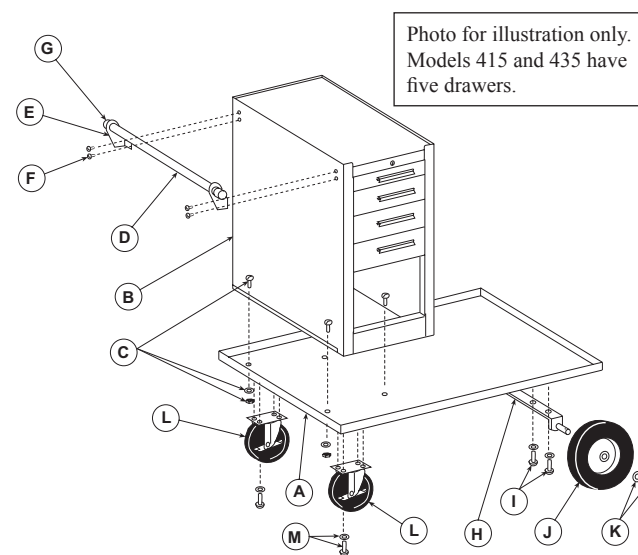
STYLE NOS. 415 or 435



Qty	Key	Part Description
1	(A)	Platform Base
1	(B)	Side Cabinet
4	(C)	5/16" x 1/2" Round Head Bolts, (4) Washers & Nuts
1	(D)	Chrome Handle
2	(E)	Handle Brackets
4	(F)	1/4" x 3/4" Round Head Bolts
2	(G)	Chrome Plugs
1	(H)	Axle
4	(I)	5/16" x 3/4" Hex Head Bolts, (4) Washers
2	(J)	10" Wheel
2	(K)	1-3/4" Flat Washers and Cotter Pins
2	(L)	5 x 2" Roller Bearing Swivel Casters
8	(M)	5/16" x 3/4" Hex Head Bolts, (8) Washers

ASSEMBLY INSTRUCTIONS—WITH VARIATION IN WHEEL AND CASTER MOUNTING PROVIDING MAXIMUM MANEUVERABILITY

1. Place platform (A) upside down with three platform rails showing. Attach axle (H) with (4) 5/16" x 3/4" hex head bolts and washers (I) to center of platform.
2. Assemble (2) 10" wheels (J) to axle (H) with (2) 1-3/4" flat washers and cotter pins (K). Hub of wheel locates to inner side.
3. Fasten swivel casters (L) with (8) 5/16" x 3/4" hex head bolts and washer (M) at each end of center rail.
4. When Model 415 is used with Models 273, 275 and 277 roller cabinets or Model 435 is used with Models 295 and 297, the roller cabinet must be placed on the platform before assembly of (B) in step 5.
5. Turn assembled platform over. Place cabinet (B) on platform (A) over the four holes and fasten with (4) 5/16" x 1/2" round head bolts, washers and nuts (C). Bracket on (B) assembles over the cabinet top flange.
6. Assemble handle brackets (E) to each end of chrome handle (D) and attach chrome plugs (G) to ends. Align handle brackets (E) to double holes in cabinet (B) and fasten with (4) 1/4" x 3/4" round head bolts (F).



ASSEMBLY INSTRUCTIONS—WITH VARIATION IN WHEEL AND CASTER MOUNTING PROVIDING MAXIMUM LATERAL STABILITY

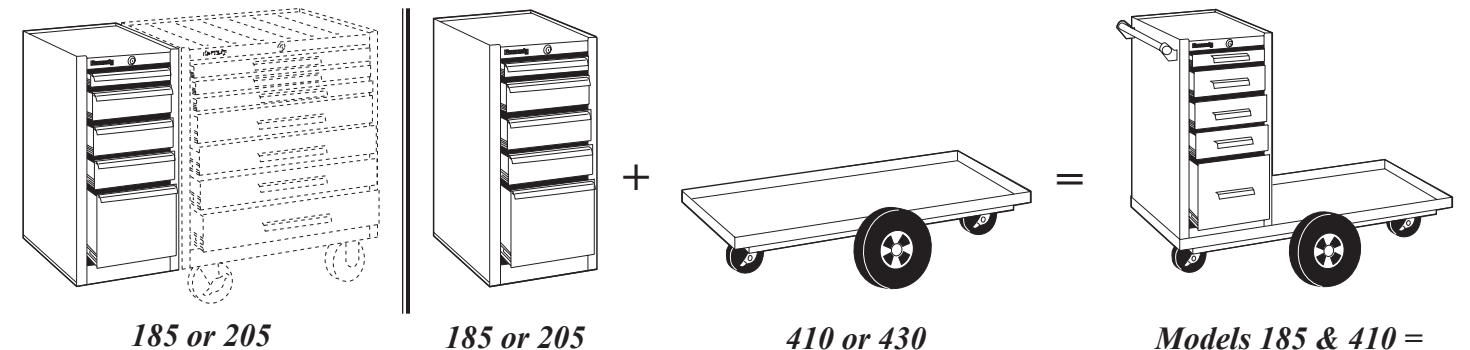
1. Place platform base (A) upside down with three platform rails showing. Attach axle (H) with (4) 5/16" x 3/4" hex head bolts and washers (I) to front end inner set of holes of platform rails. Do not use holes at extreme end of platform.
2. Assemble (2) 10" wheels (J) to axle (H) with (2) 1-3/4" flat washers and cotter pins (K). Hub of wheel locates to inner side.
3. Fasten swivel casters (L) with (8) 5/16" x 3/4" hex head bolts and washers (M) to cabinet end of platform rails.
4. When Model 415 is used with Models 273, 275 and 277 roller cabinets or Model 435 is used with Models 295 and 297, the roller cabinet must be placed on the platform before assembly of (B) in step 5.
5. Turn assembled platform over. Place cabinet (B) on platform (A) over the four holes and fasten with (4) 5/16" x 1/2" round head bolts, washers and nuts (C).

6. Assemble handle brackets (E) to each end of chrome handle (D) and attach chrome plugs (G) to ends. Align handle brackets (E) to double holes in cabinet (B) and fasten with (4) 1/4" x 1/2" round head bolts (F).

Thank you for purchasing this Kennedy product. We produce value-built products for value conscious users. We welcome any comments or suggestions you may have. Just call or write the address below. We hope you will continue to find Kennedy the most complete source for your tool storage needs.

Kennedy Since 1911 **VERSA-CART®**
ASSEMBLY INSTRUCTIONS

STYLE NOS. 185 and 415; 205 and 435



Models 185 & 410 =
Model 415
Models 205 & 430 =
Model 435

BEFORE ASSEMBLY OF YOUR VERSA-CART®

Check carefully to ensure that all parts listed on the reverse side are included. If any are missing, please call 800-413-8665 and ask for the Sales Dept. Do not discard packing material until assembly is complete.

TOOLS REQUIRED

Flat tip screwdriver
1/2" Open end wrench or socket wrench
Ball Peen Hammer

KMC Holdings LLC dba Kennedy Manufacturing Company
1260 Industrial Drive • Van Wert, OH 45891
Phone 800-413-8665 • Fax 419-238-5644 • www.kennedymfg.com

Part No. 527055, Rev. 11/07

Reinforced Body Side Holes for Handle and Hang-on Bracket Support

Model 185 or 205

To Attach Hang-on Bracket Support

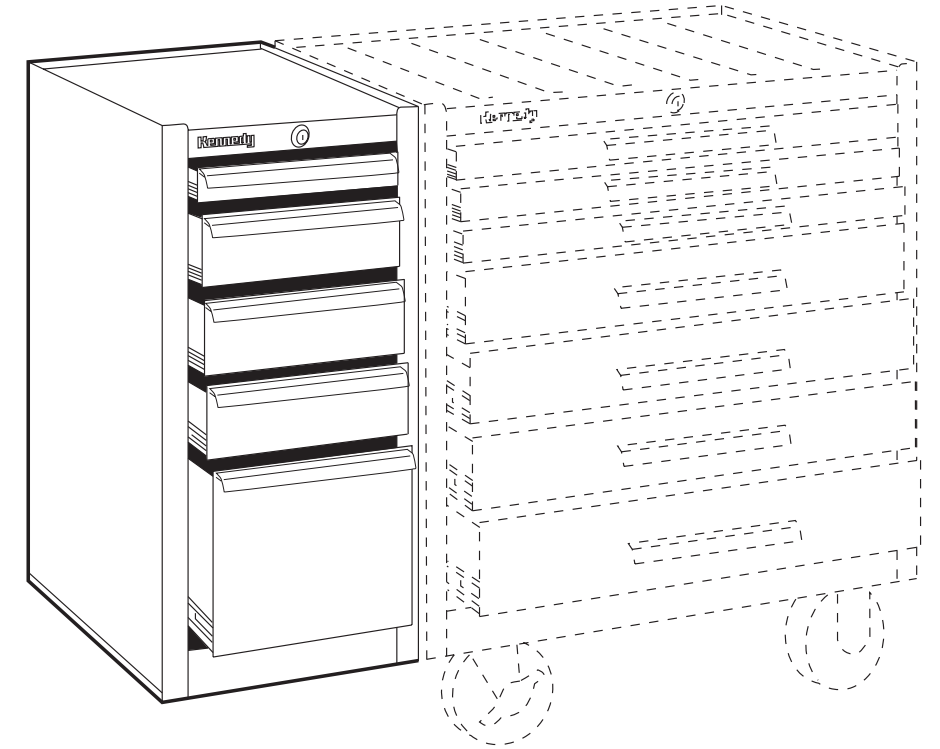
To Attach Handle Assembly

Note: Will attach to either side of cabinet.

Note: Will attach to either side of cabinet. Handle assembly not required if side unit is attached to the side of the roller cabinet. Handle assembly used with side unit when mounted to base pan.

1. Remove the top two drawers.
2. Place bracket support on cabinet side with (4) studs through the holes in the side of the cabinets. Put washer, lock washer, and hex nut on studs. Tighten nuts to secure.
3. Hang side box onto lip of roller cabinet. Remove bottom drawer of side box. Drill pilot hole into roller cabinet side through round holes. Install sheet metal screws to anchor side box to roller cabinets.

1. Fasten end handle onto cabinet with the (4) 1/4-20 x 3/4 round head bolts, washers and nuts.



Assembly Supply List

Qty	Part Description
2	5/8" Hex Head Screws

Assembly Instructions

1. Assemble side unit by placing support bracket over top side flange of cabinet body.
2. Drill 7/32" diameter hole in roller cabinet body for screw assembly. Remove fifth drawer of side unit and fasten screws through slotted right hand body back into roller cabinet body. Secure side unit to cabinet body with (2) 5/8" hex head screws.

