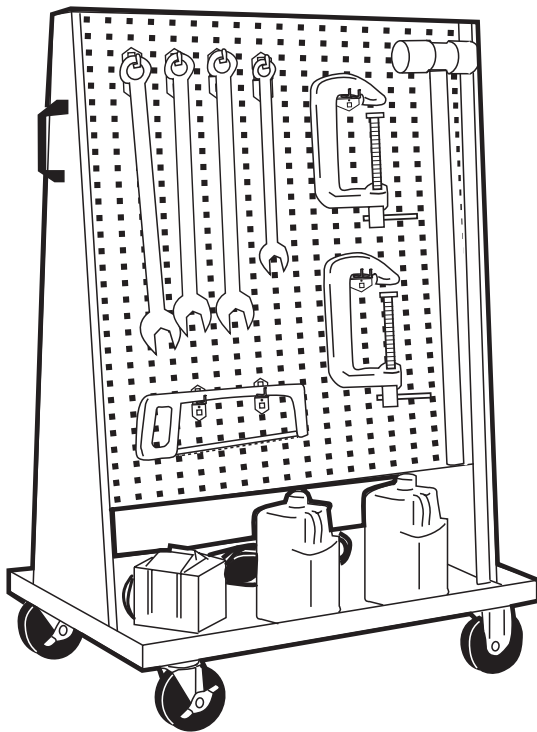


Thank you for purchasing this Kennedy product. We produce quality built products for value conscious users. We welcome any comments or suggestions you may have, just call or write the address below. We hope you will continue to find Kennedy the most complete source for your tool storage needs.



Assembly Instructions

Style No. 50102



Model 50102 Tool trolley consists of four component packs: (1) 50102 trolley, (2) 50002 panels and (1) 99853 sixty-piece tool holder set.

BEFORE ASSEMBLY OF YOUR TOOL TROLLEY

Check carefully to ensure that all parts listed on the reverse side are included. If any are missing, please call 800-413-8665, Sales Dept. Do not discard packing material until assembly is complete.

TOOLS REQUIRED

*Flat tip screwdriver
1/2" open end wrench or socket wrench*

50102 ASSEMBLY SUPPLY LIST

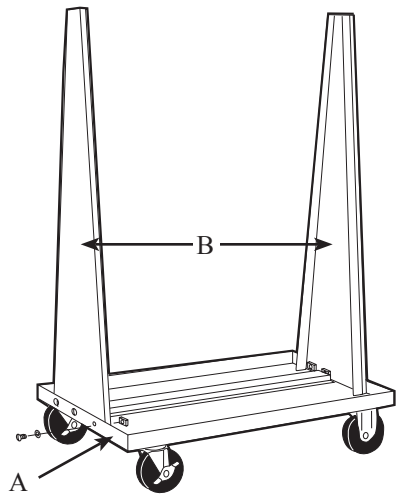
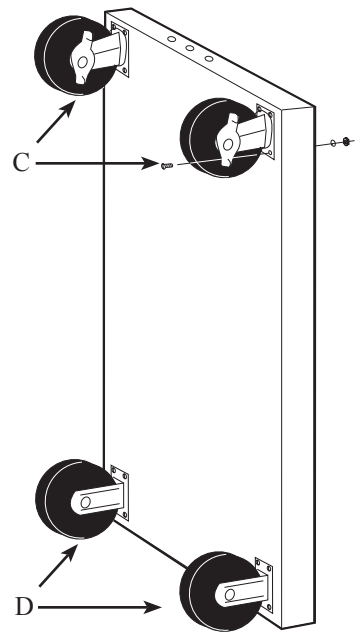
Qty.	Parts Description
1	50100 Trolley Base
2	540140 Trolley End Panel
2	519030 Swivel Caster
2	519031 Rigid Caster
2	540155 Handle
4	Tool Board Panel
1	99853 Tool Holder 60-pc. Set

Size/Dimension	Type	Qty	Used for
3/16"-18	Slotted Bolt	16	Caster Mounting
3/16"	Lock Washer	16	Caster Mounting
3/16"	Hex Nut	16	Caster Mounting
Bolt Pack 94622:			
1/4"-20	Panel Nut Retainer	22	Panel & End Panel Assembly
1/4"-20	Slotted Bolt	22	Panel & End Panel Assembly
	Washer	22	Panel & End Panel Assembly
Handle Pack 94023:			
8-32 x 3/4	Slotted Screw	4	Handle Assembly
8-32	Lock Nut	4	Handle Assembly

Key	Parts Description
A	50100 Trolley Base
B	540140 Trolley End Panel
C	519030 Swivel Caster
D	519031 Rigid Caster
E	540155 Handles
F	Tool Board Panel
G	99853 Tool Holder 60-pc. Set

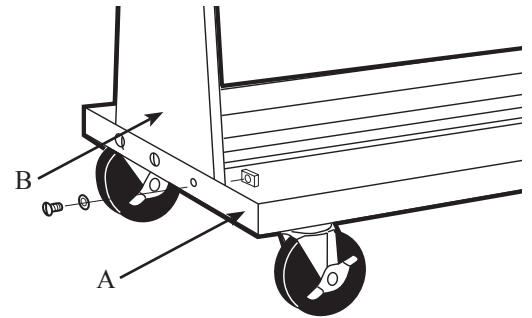
1. TROLLEY BASE/CASTERS

Turn pan on end to install casters. Install casters with (2) swivel casters (C) located to the end used for pushing; rigid casters (D), locate to opposite end. Attach casters with (4) 5/16-18 bolts, lock washers and nuts.



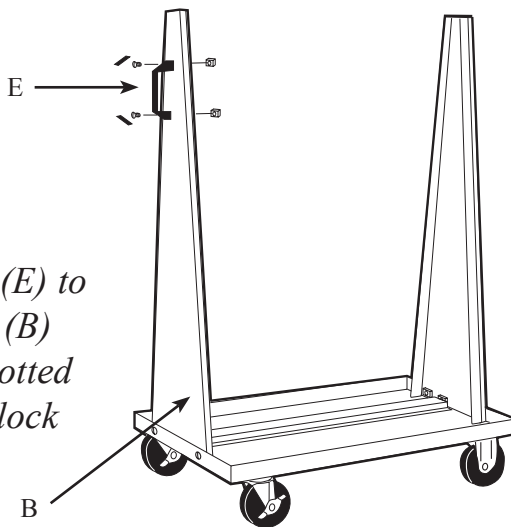
2. BASE/END PANEL

Insert panel nut retainer 1/4-20, (3) each to panel end (B). Align end panel (B) to inside end of base pan (A). Attach with (3) 1/4-20 bolts and washers each end. Bolt must locate through base, screwbolt into panel nut retainer in end panel (B).



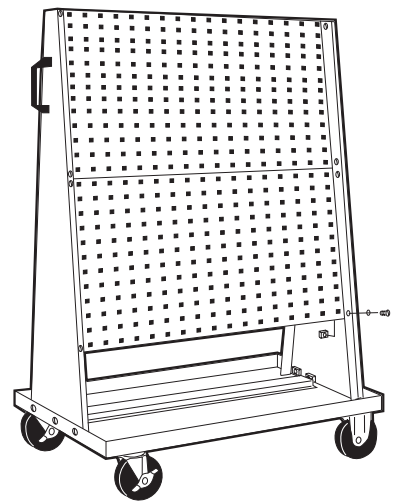
3. HANDLE

Attach handles (E) to each end panel (B) with (4) 8-32 slotted screws and (4) lock nuts.



4. TOOLBOARD PANELS

Insert panel nut retainer to (4) corner slots each toolboard panel (F). Align the two top panels (F) to end panel (B). Attach with (4) 1/4-20 bolt and washers each panel. Attach remaining panels to end panel (B).



5. 60-PIECE TOOL HOLDER SET

Install 60-piece tool holder set to tool holder panels.