

**Step 7. SLIDE AND DRAWER ASSEMBLY**

**Note:** This unit may be equipped with either I-beam friction slides or ball-bearing slides. Refer to the appropriate instructions below.

**I-Beam Friction Slides**

Each drawer requires six slide parts, See **Fig. 8**:

- a. one 270 DR LH; one 270 DR RH—attaches to drawer
- b. one FE LH; one FE RH—attaches to inner panel
- c. two male slides with springs

**Note:** LH/RH refers to Left and Right Hand—part numbers are marked on a. & b.

1. Insert rear horizontal tab of b. (FE RH) into back square hole second row from top on right side inner panel. Line up center and front tabs with matching square holes and snap **down** into place, locking in the slide.

2. Repeat above step 1 on left side inner panel.

3. Attach a. 270 DR LH and RH (left hand and right hand) to drawer sides, inserting rear horizontal tab into back square hole. Line up center and front tabs with matching square holes and snap **up** into place. Repeat with remaining drawers.

4. Insert c. (male slides) fully into channel of inner panel slides so that spring at back of unit faces drawer and front spring faces inner panel. See **Fig. 10**. Make sure spring stop is engaged. (This prevents drawer from being pulled all the way out of unit).

5. Pull male slides, left and right, partially out—align drawer to male slides—insert male slides into drawer slides and firmly push drawer all the way in for engagement.

**Ball-Bearing Slides**

Each drawer requires one ball-bearing slide set consisting of one right and one left hand triple member ball-bearing slide. See **Fig. 11**.

**Note:** Large side of slide attaches to inner panel while smaller member detaches and then is fixed to drawer. Both have one horizontal and one vertical facing locking tab.

1. Insert rear horizontal tab (closest to black plastic detente) on large member into back square hole second row from top on right side inner panel. Align front tab with matching square hole and snap **down** into place, locking in the slide. (**Note:** If front tab faces up, you incorrectly have the left side slide).

2. Repeat above procedure 1 on left side panel.

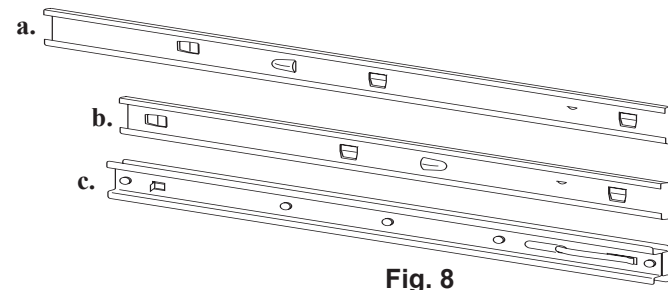
3. Starting at right side panel, fully extend slide small member (drawer side). Depress plastic release lever and remove member. Install it on drawer right side by inserting rear horizontal tab into drawer rear square hole. Align front tab to matching hole and snap **up** into place, locking in the slides.

4. Repeat procedure on left side of drawer.

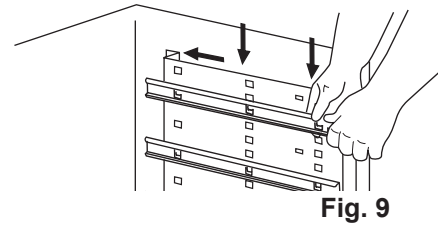
5. Align drawer slide members with inner panel slides, inserting them back into place. Push drawer evenly all the way into slide and pull out to make sure slide members are correctly joined.

**Step 11. Install Drawer Pull**

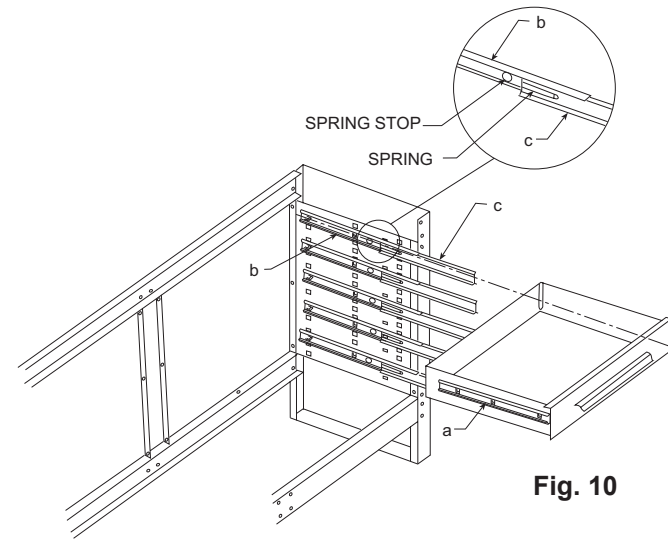
1. Attach drawer pull (L)—see **Fig. 1**—with two hex head slotted screws (M) per drawer, using a flat-tip screwdriver.



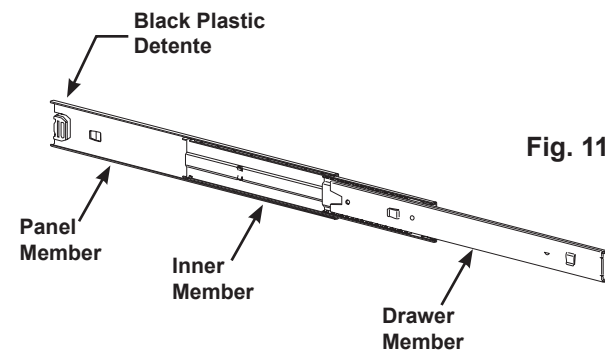
**Fig. 8**



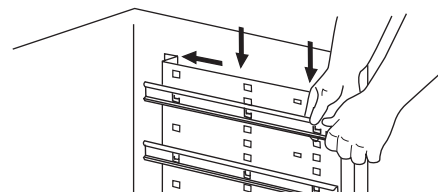
**Fig. 9**



**Fig. 10**



**Fig. 11**



**TOOL STAND  
ASSEMBLY INSTRUCTIONS**

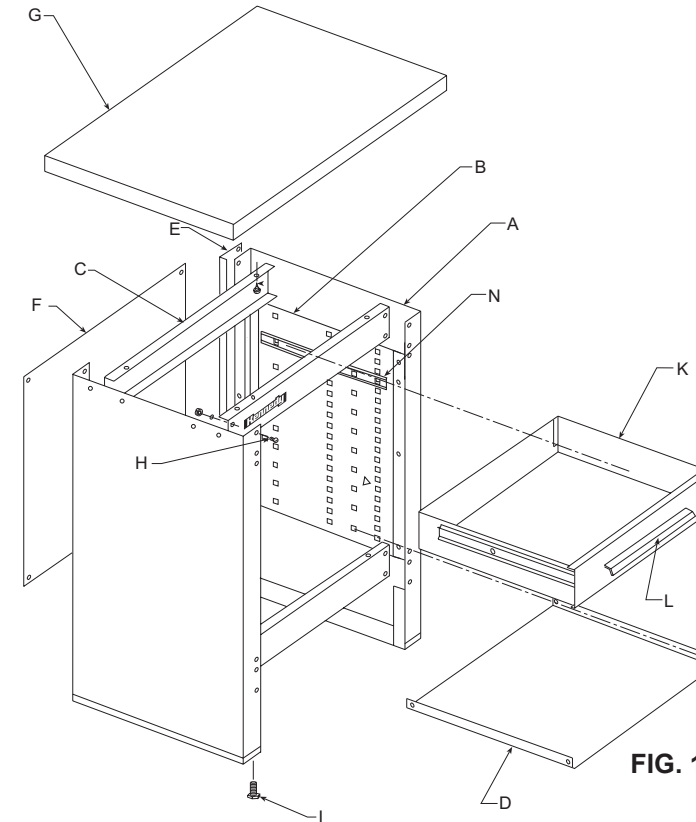
**STYLE NOS. TS261, TS261X (26 Inches Wide)**

**BEFORE ASSEMBLY OF YOUR TOOL STAND**  
Check carefully to ensure that all parts listed on the reverse side are included. If any are missing, please call 800-413-8665 and ask for the Sales Dept. Do not discard packing material until assembly is complete.

**TOOLS REQUIRED**

- Flat tip screwdriver—Main Assembly
- 7/16" Open end wrench or socket wrench—Main Assembly
- 3/8" Open End or Socket Wrench—Top Assembly Square

To order additional drawers, refer to your Kennedy Catalog:  
• Four drawers, catalog no. DR264 with frictions slides for Model TX261, or DR264X with ball-bearing slides for Model TS261X



**FIG. 1**

**CAUTION**

**DO NOT SLIDE OR MOVE UNIT FULLY LOADED. MAY RESULT IN DAMAGE OR INJURY.**

**Model No. TS261 Parts Check List**

KMC Packer	User	Key	Qty	Parts Description
		A	2	End Panels
		B	2	Inner Panels
		C	4	Rails
		D	1	Shelf
		E	1	Drawer Stop
		F	1	Back Wall Panel
		G	1	Bench Top
		H	32	1/4" x 1/2" Bolts, Lock Washers, Hex Nuts
		I	4	Adjustable Leg Leveler
		J	4	#14-5/8" Hex Screws (Top Assembly)
		K	1	Drawer
		L	1	Drawer Pull
		M	2	#8-18 x 3/8" Hex Head Sheet Metal Screw (not shown)
		N	1	82187 Snap-in Friction Slide Set

**Model No. TS261X Parts Check List**

KMC Packer	User	Key	Qty	Parts Description
		A	2	End Panels
		B	2	Inner Panels
		C	4	Rails
		D	1	Shelf
		E	1	Drawer Stop
		F	1	Back Wall Panel
		G	1	Bench Top
		H	32	1/4" x 1/2" Bolts, Lock Washers, Hex Nuts
		I	4	Adjustable Leg Leveler
		J	4	#14-5/8" Hex Screws (Top Assembly)
		K	1	Drawer
		L	1	Drawer Pull
		M	2	#8-18 x 3/8" Hex Head Sheet Metal Screw (not shown)
		N	1	82183 Ball-Bearing Slide Set

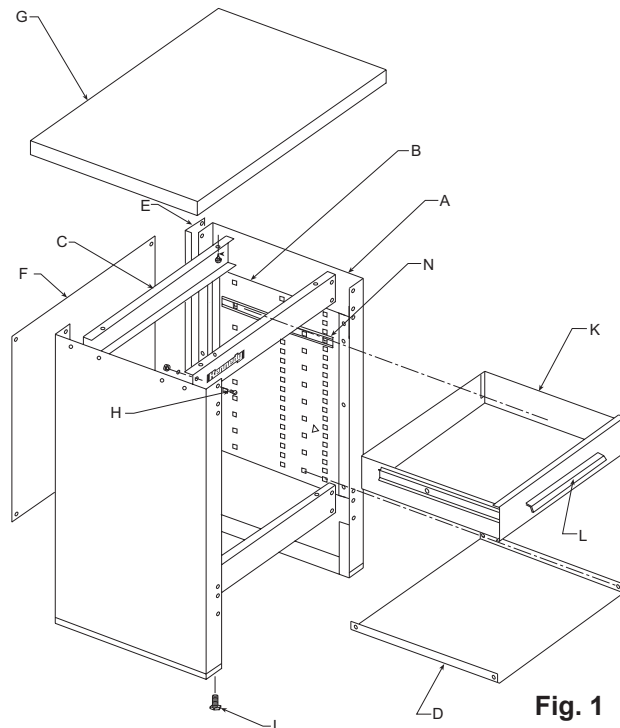


Fig. 1

Model No. TS261

Key	Qty	Parts Description
A	2	End Panels
B	2	Inner Panels
C	4	Rails
D	1	Shelf
E	1	Drawer Stop
F	1	Back Wall Panel
G	1	Bench Top
H	32	1/4" x 1/2" Bolts, Lock Washers, Hex Nuts
I	4	Adjustable Leg Leveler
J	4	#14-5/8" Hex Screws (Top Assembly)
K	1	Drawer
L	1	Drawer Pull
M	2	#8-18 x 3/8" Hex Head Sheet Metal Screw (not shown)
N	1	82187 Snap-in Friction Slide Set

Model No. TS261X

Key	Qty	Parts Description
A	2	End Panels
B	2	Inner Panels
C	4	Rails
D	1	Shelf
E	1	Drawer Stop
F	1	Back Wall Panel
G	1	Bench Top
H	32	1/4" x 1/2" Bolts, Lock Washers, Hex Nuts
I	4	Adjustable Leg Leveler
J	4	#14-5/8" Hex Screws (Top Assembly)
K	1	Drawer
L	1	Drawer Pull
M	2	#8-18 x 3/8" Hex Head Sheet Metal Screw (not shown)
N	1	82183 Ball-Bearing Slide Set

### Step 1. END PANEL/INNER PANEL ASSEMBLY

1. Insert Inner Panel (B) into End Panel (A) as shown in Fig. 2. Arrow ► on inner panel points toward front of assembly.
2. Attach Inner Panel (B) to End Panel (A) front with (2) Fasteners (H) for each panel. **Note:** Do not attach back fasteners at this time.

Repeat Steps 1 and 2 for left hand panel assembly.

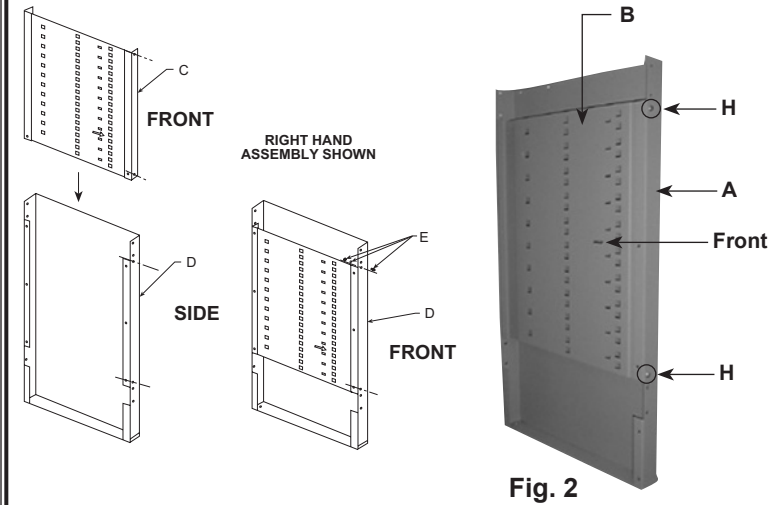


Fig. 2

### Step 2. RAIL TO END PANEL ASSEMBLY

1. Attach Rails (C) to End Panels (A) top and bottom with (8) Fasteners (H) as shown in Fig. 3. Tighten nuts finger tight until assembly is checked for square alignment. Tighten with wrench.

**Note:** Rail containing brand logo should be at top front.

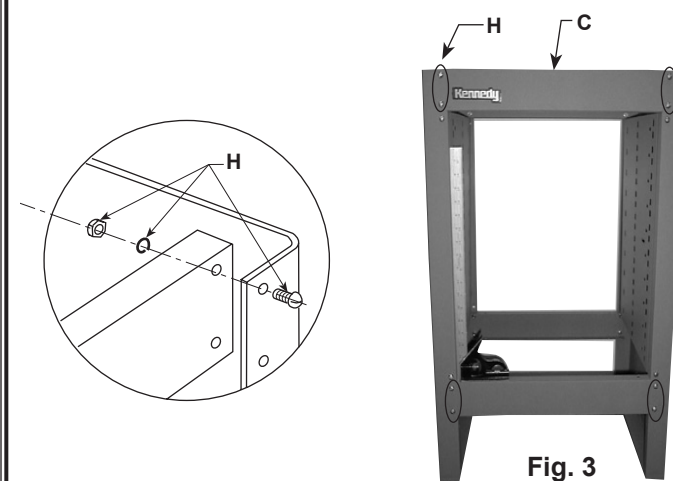


Fig. 3

### Step 3. SHELF TO FRAME ASSEMBLY

1. Insert Shelf (D) into frame. Insert (4) bolts (H) through holes in Shelf, End Panel flange and Inner Panel as shown in Fig. 1, Fig. 4.

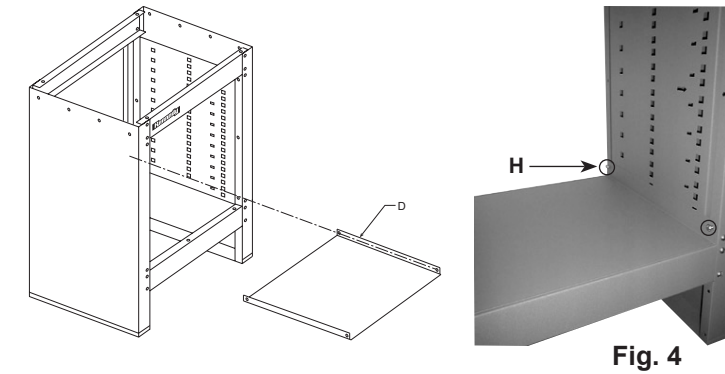


Fig. 4

### Step 4. DRAWER STOP AND BACK PANEL ASSEMBLY

1. Attach Drawer Stop (E) between Back Wall Panel (F) and End Panel (A), attach with (4) Fasteners (H), as shown in Fig. 1, Fig. 5 aligning holes in all four pieces (F, E, A, B).
2. For ease of assembly, turn unit upside down to attach bottom fasteners as in (1) above.

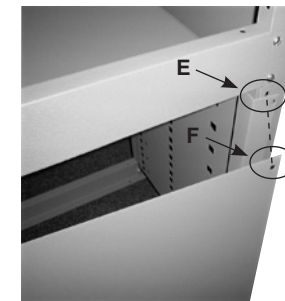


Fig. 5

### Step 5. LEG LEVELERS

1. Attach adjustable leg levelers (I) as shown in Fig. 1, Fig. 6. Leave unit upside down for next step.

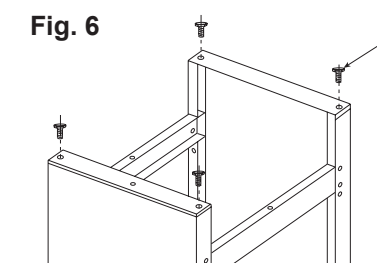


Fig. 6

### Step 6. TOP ASSEMBLY

1. Place work surface side of top facing down on level surface.
2. Center frame (upside down) on pressboard top. Make sure frame sides are squared up (at right angles) to the rails. Locate frame on top to fit your needs. (Recommend 1" pressboard top overhang at front).
3. Mark hole locations on pressboard top through the holes in the top rails. Move frame aside and drill four 5/32" dia. x 1/2" deep holes in top. Do not drill deeper than 1/2".
4. Place frame assembly on pressboard top, aligning rail holes over drilled holes. Attach frame with four (J) hex screws as shown in Fig. 7.
5. Wrench tighten all screws and nuts.
6. Turn assembled bench right side up and level as needed.

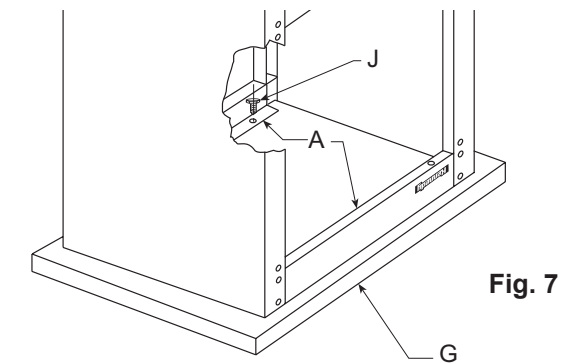


Fig. 7