

Required Parts:

Chest 34000

- (1) Lock #501084
- (1) Front Plate #517036—Covers existing hole for combination lock
- (1) Rear Plate #376279—Keeps lock from turning in hole
- (1) Cam #376272

Chest 46000

- (1) Lock #501084
- (1) Front Plate #517036—Covers existing hole for combination lock
- (1) Rear Plate #376279—Keeps lock from turning in hole
- (1) Lock Link Assembly #492655

Base 34003 Series

- (1) Lock #501045
- (1) Front Plate #517036—Covers existing hole for combination lock
- (1) Rear Plate #376279—Keeps lock from turning in hole
- (1) Cam Rod #374754—18²⁷/₃₂" L

Base 46003 Series

- (1) Lock #501045
- (1) Front Plate #517036—Covers existing hole for combination lock
- (1) Rear Plate #376279—Keeps lock from turning in hole
- (1) Cam Rod #374620—22²³/₃₂" L

Note: Conversion Requirements

Cabinet Base:

1. Locate second hole in front left side of cabinet front.
2. Drill hole to 3/4" opening for lock.
3. Insert lock into hole.
4. Place rear plate over lock from interior of cabinet.
5. Screws lock retainer ring onto thread of lock.
6. Attach cam rod into rear locking and end of lock, tighten retainer ring securely against rear plate.
7. Attach front plate over lock.

Note: Insert cam rod into lock system and rotate cam into "up" unlocked position, turn key in lock counter clockwise, which is the unlocked position, insert into hole and attach cam rod. Turn key clockwise to assure cam rotates down into locked position. Complete assembly.

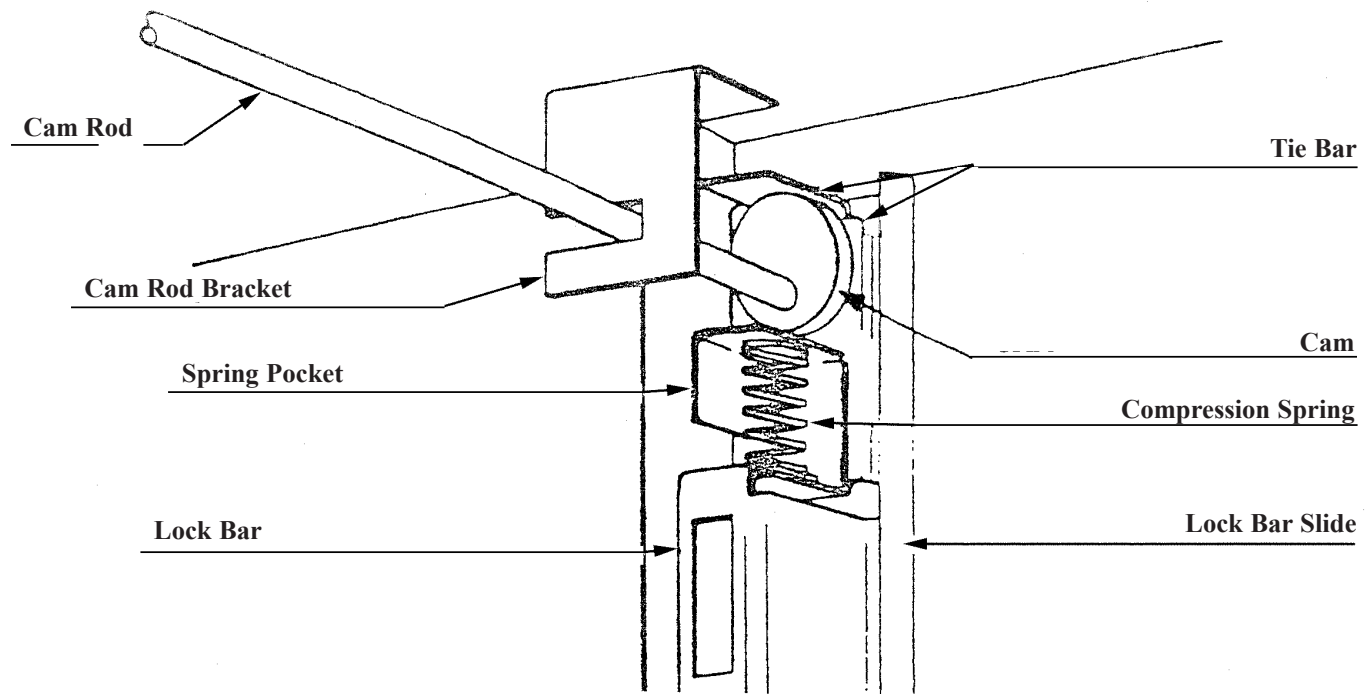
Chest:

Complete above listed steps.

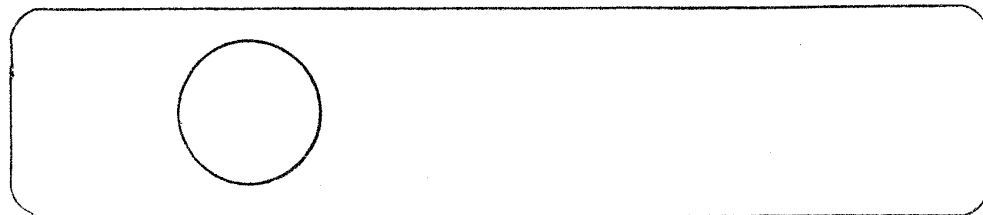
Step 5 Screw lock retainer ring onto thread of lock, tighten securely against rear plate.

Step 6 Attach lock rod cam or hook cam to rear of lock and secure with nut.

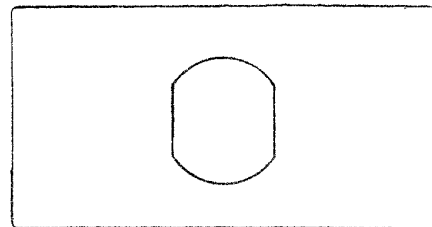
**Models 34003, 34004, 34005
46003, 46004, 46005**



Rear Interior Locking System



Front Plate



Rear Plate

Models 46000, 46001, 46002

