



**K2000**  
**STAINLESS STEEL**

---

**K2000 STAINLESS STEEL ASSEMBLY INSTRUCTIONS**  
**28085 & 28087**

---



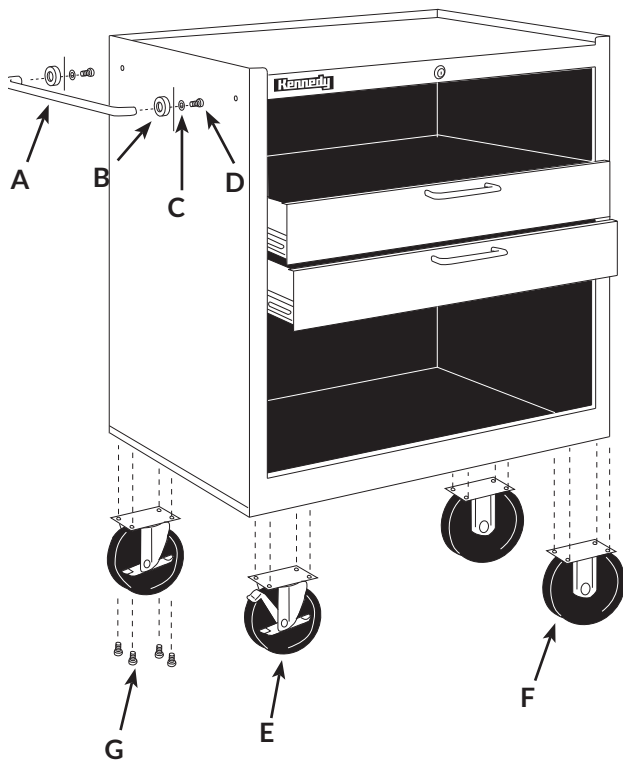
**BEFORE ASSEMBLY OF YOUR STAINLESS STEEL CABINET**

Check carefully to ensure that all parts listed on the reverse side are included. If any are missing, please call 800-413-8665. Do not discard packing material until assembly is complete.

**TOOLS REQUIRED**

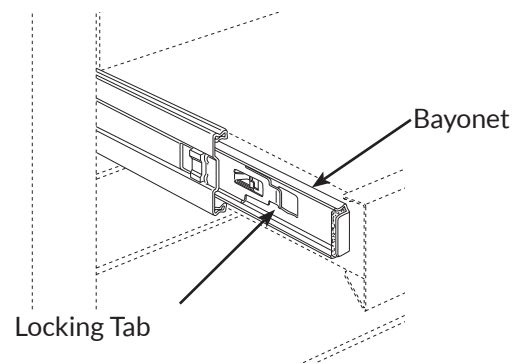
- Flat tip screwdriver for caster bolt nut assembly
- 1/2" open end or socket wrench for caster bolt nut assembly
- 9/16" socket wrench with 3" extension for handle bolt assembly

## ASSEMBLY SUPPLY LIST



Qty.	Key	Parts Description
1	A	Stainless Steel End Handle
2	B	Stainless 1" dia. Ring
2	C	Stainless 3/8" Washer
2	D	3/8"-24 Stainless Hex Bolt
2	E	5 x 1 1/2" Swivel Casters
2	F	5 x 1 1/2" Rigid Casters
16	G	Stainless 5/16" Bolts
16	H	Stainless Lock Washers
16	J	Stainless 5/16" Nuts

### DRAWER REMOVAL



### DRAWER REMOVAL INSTRUCTIONS

1. Remove top two drawers and bottom drawer. To remove, extend drawer and locate locking tab in square slot on each side of drawer slide and lift out of slot. Remove locking tab. Lift drawer from front bayonet and hold while pushing drawer back enough to release slide from rear bayonet. Once drawer slides are released from drawer, lift drawer out.

### ASSEMBLY INSTRUCTIONS

1. Turn cabinet upside down on cardboard to prevent scratching.
2. Before attaching casters, decide which side of cabinet handle will be attached and place swivel casters on that side, rigid casters on opposite side,. Attach each caster with (4) 5/16" bolts from outside of cabinet. Secure with lock washer and nut from inside the cabinet.
3. Turn cabinet right side up.
4. To attach end handle, place stainless 1" dia. ring on end handle. Place 3/8" washer over 3/8"-24 stainless hex bolt and bolt to end handle from inside cabinet.
5. To insert drawers back into cabinet, extend drawer slides out. Center rear of drawer between slides. Align bayonets to back slots of drawer. Pull drawer forward to seat bayonets. Re-align front bayonets into front slots. Spring tabs will lock in place. Close drawer.